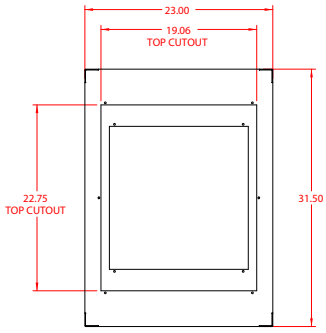
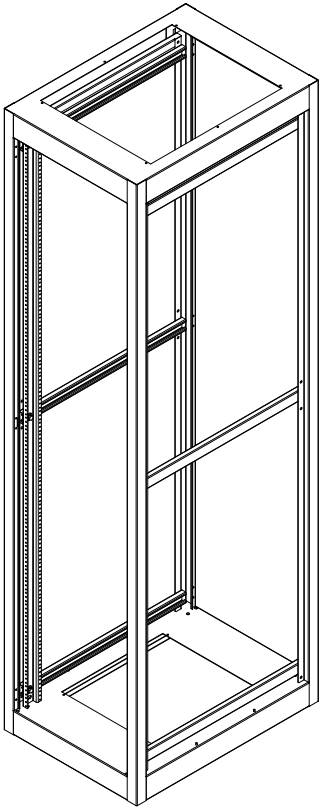
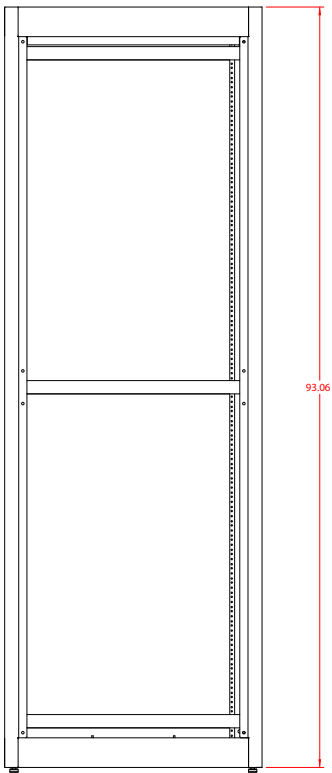




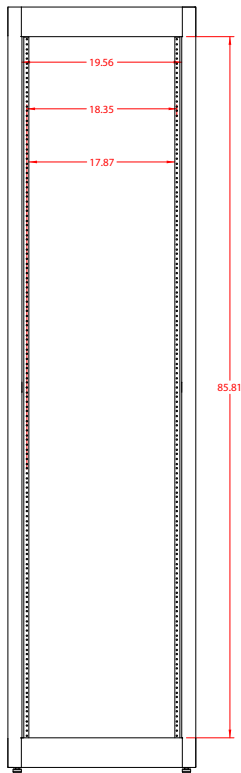
PART No. C2F198531
 for more information visit
www.hammfg.com
 Data subject to change without notice
 Isometric drawing not to scale
 CDR TAPPED RAILS NOT INCLUDED



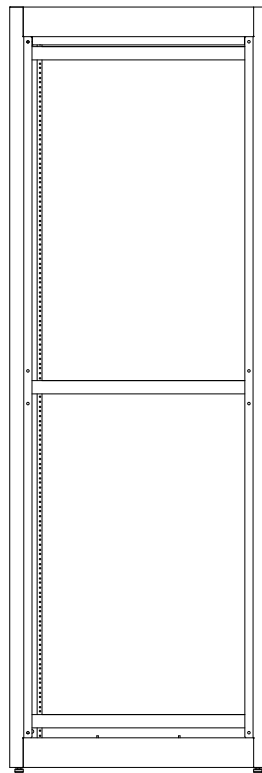
TOP VIEW



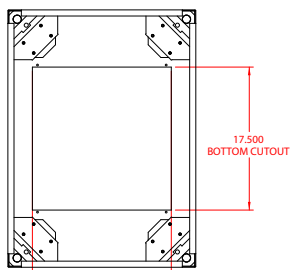
L.S. VIEW



FRONT VIEW



R.S. VIEW



BOTTOM VIEW